



With a roller door, the ceiling space remains unused. Plenty of room available to store things

## Why choose our roller doors?

### Comfort

Our roller doors are made of insulated aluminium profiles, which are characterized as light but very strong. **Extreme temperatures are blocked and also they filter the street noise.**

A Gararol® roller door doesn't take ceiling space, which leaves a clever storage location for all sorts of things.

This roller door is provided with a box as standard and because of this it operates more silently.

### Safety

Our roller doors are provided with a box as standard. It looks nice aesthetically and there is reduced risk of pinch hazard. A roller door without box is also available, but only for internal applications.

The **safety brake** assures that the door doesn't fall down when there is a defect in the motorization.

Our roller doors are optional equipped with an **external manual release**. This allows you to operate the roller door via a crank, even if the power is down.

The **auto-locks** of our roller doors makes them **burglar-resistant**. Extra safety springs on the roller axle assure the shutter is pushed down when in closed position, thus unwanted visitors are being discouraged to enter your home since it's impossible to open the roller door.

Furthermore you can opt for a bottom slat with **safety edge**. In the rubber of this bottom slat two **sensors** are integrated to detect obstacles. Hence the roller door goes back up when there is something blocking the passage. We also have a variant available with **photocells in the bottom slat or side channels**. They create a safety light curtain that identifies obstructions.



# 50% SUYS

Family business **SUYS** was established in 1973. Together with the several foreign subsidiaries, the company has grown into a **leading specialist** in manufacturing aluminium and plastic profiles. The extensive range of profiles can be processed into various applications such as **screens**, **roller shutters**, **roller doors** and **facade cladding**. We'd like to think of them however, as more than just a product in itself. They help you to shield your home or workplace and in this way they create **safe and comfortable living spaces**.

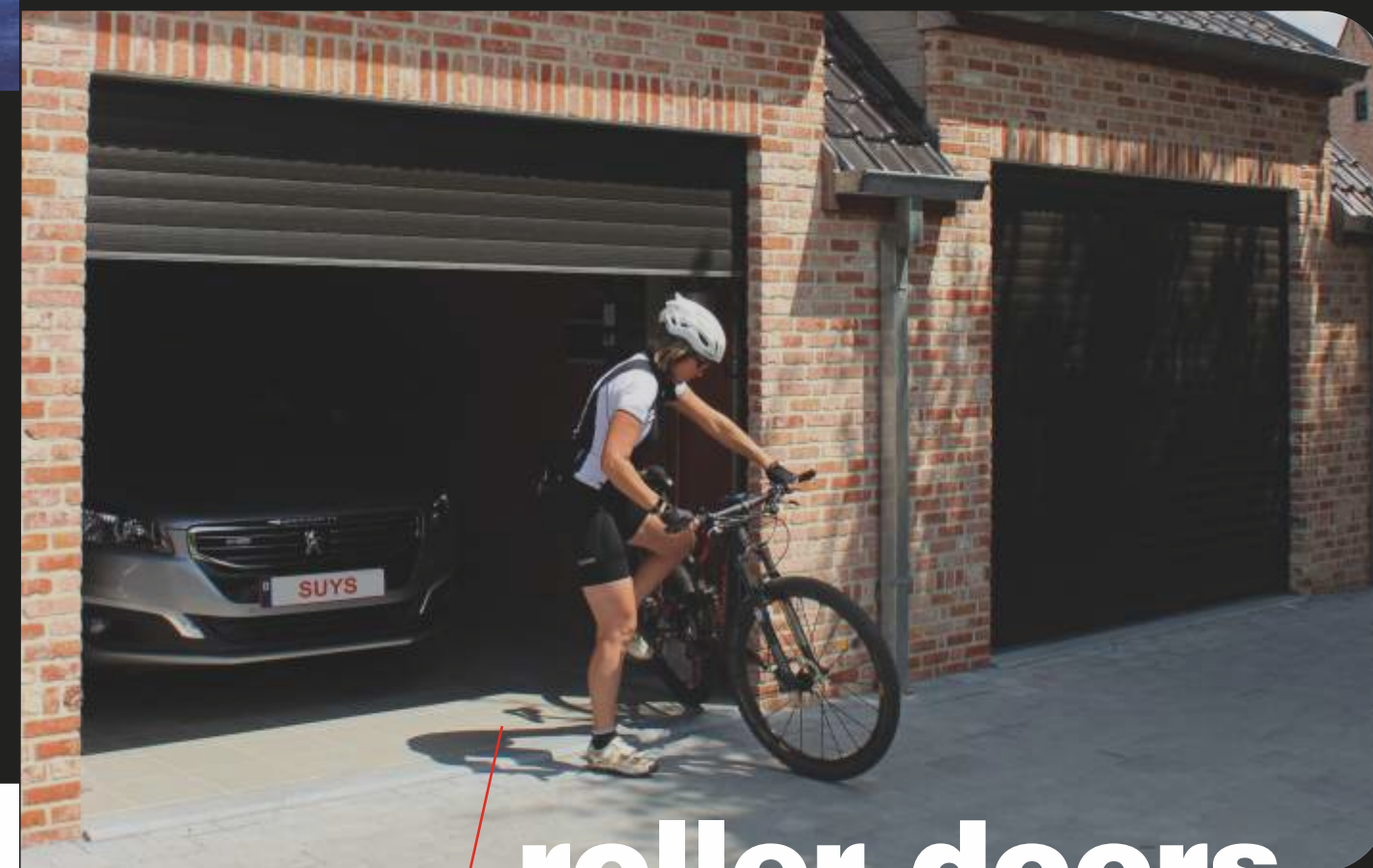
**SUYS**  
Herlegemstraat 14  
B-9771 Nokere

T +32 56 60 48 11  
info@suys.eu  
www.suys.eu

Follow us



DEALER INFORMATION



# roller doors



• By choosing a **Gararol® roller door**, you save ceiling space in your garage.

• A Gararol® roller door is equipped with a **box as standard**. If you want to integrate the shutter, it can also be delivered without a box.

• All boxes are manufactured in **aluminium**.

• The shutter panel is assembled with **insulated aluminium profiles**.

• **BP77 is the standard profile** with Gararol®. Herewith the dimension of the box remains limited. The profile combines a **good roll up** with **extra firmness**.

• Large roller doors:  
**BP77** covers up to 15m²  
**BP77FE** (steel variant) covers up to 20m²

• Smaller roller doors:  
**BP55RS** covers up to 12m² (box = 250mm)  
**BP55R** covers up to 8m² (box = 205/250mm)

**Applications**

**New buildings and renovation**

**Montage:**

The box is mounted in front of the facade or on the inside.

**Implementation**

**Finish:** Box, side guides, bottom slat and shutter panel are available in all RAL colours.

- Shutter panel in matt, textured or metallic finish (not gloss)
- Slat BP55R is not available in lacquer work

**Control:**

Standard electrical (motorization Somfy)

**Technical**

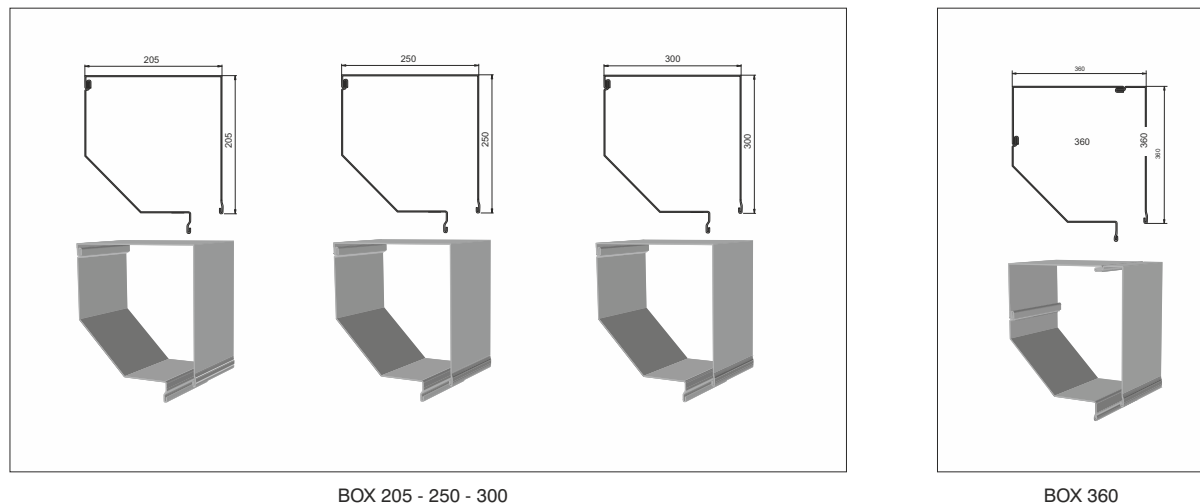
**Box dimensions:**

205mm - 250mm - 300mm - 360mm

**Box design:**

Chamfered (45°)

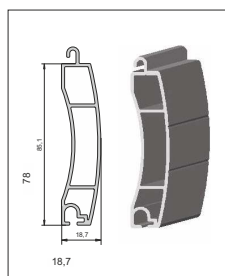
**Available housing boxes**



BOX 205 - 250 - 300

BOX 360

**Bottom slat**



EX78



**Safety above all with a standard safety brake and auto-lock system. Optionally you choose for external manual release and safety edge**



**Good to know**

In case of damage to your roller door, you can easily and at a low cost change the damaged profile(s). In contrast to sectional or up & over doors where the costs can rise high.



**BP77**

TECHNICAL DATA		ROLL-UP DIAMETER	
Thickness	19,2mm	∅ as 70mm	
Useful height	77mm	Box size	Height
Number of slats p/m	13	300	3200
Weight	5,33 kg/m²	360	4400
Max. surface	15 m²		

**A wide choice of finishes**

We supply **8 standard colours** for the box, side guides, profiles and bottom slats. Moreover they are available in **all RAL-colours**. Except for the BP55R slat, which is not available in lacquer work.

Our products are painted in-house. In a **fully automated, 100% green paint shop**, we have over 650 colour powders.

The finishing options are versatile: **matt**, **textured** or **metallic**. The box, side guides and bottom slat are also available in **gloss finish**.

Thanks to this extensive colour palette, you can perfectly match the colours of your roller door with your joinery. The result is a garage door that seamlessly fits the style of your home.



**As the sole Belgian manufacturer we powdercoat the shutter curtain in all RAL-colours in an environmentally friendly way**

**STANDARD COLOURS**

For boxes, side guides, slats and bottom slats

Our Top-colours in matt 30%

